

## C Family Accessories Launch Announcement

1. Introduction.....	2
2. Product Information.....	2
2-1. Product Function Description.....	2
2-2. Product Model List.....	3~4
2-3. Installation Notice.....	4~5
3. Launch Area & Order Acceptance Date.....	5
Appendix:	
1. C2000 series selection table.....	6~7
2. CH2000 series selection table.....	7~9
3. EMI Filter Specification.....	9~10
4. EMI Filter Drawing.....	11~17
5. Zero Phase Reactor Specification & Drawing.....	18~19

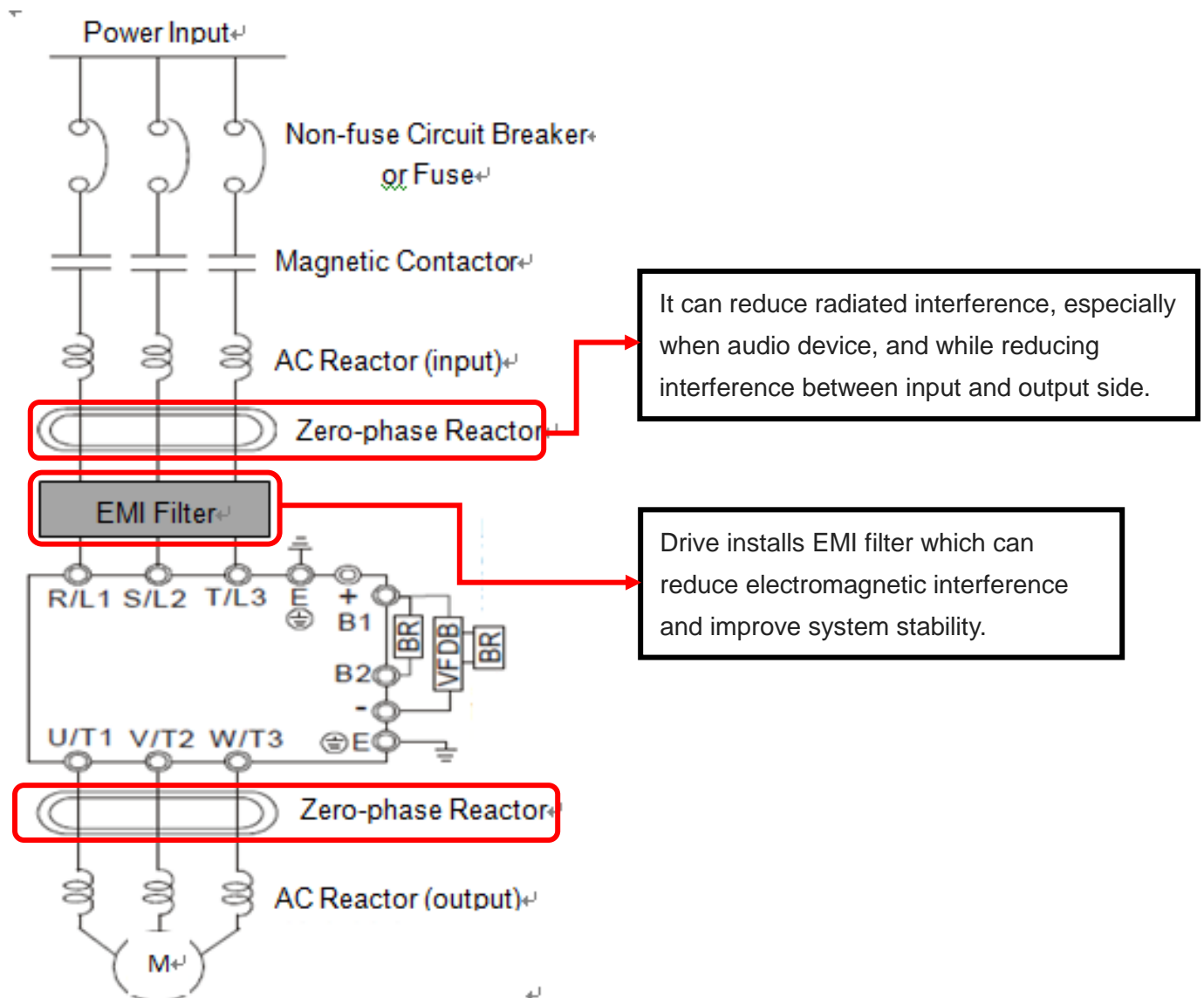
## C Family Accessories Launch Announcement

### 1. Introduction:

In order to let Delta's AC motor drive to achieve higher electromagnetic compatibility and provide customers complete product solutions, Delta has developed a series of accessories, such as AC reactors, **Zero-phase reactor** and **EMI filters**. Each model with the electromagnetic selection of parts and accessories listed follow this notification content.

### 2. Product Information:

#### 2-1. Product Function Description



## C Family Accessories Launch Announcement

### 2-2.Product Model List:

Accessories	Supplier	Model
EMI Filter	Deltron	KMF350A
		KMF370A
		KMF3100A
		MIF3400B
		MIF3400
		MIF3800
		MDF350V
		MDF3100V
		KMF3320V
	EPCOS	B84143D0150R127
		B84143D0200R127
		B84143B0250S020
		B84143B0400S020
		B84143B1000S020
	DELTA	EMF011A21A
		EMF023A21A
		EMF014A23A
		EMF021A23A
		EMF027A23A
		EMF035A23A
		EMF056A23A
		EMF008A43A
		EMF014A43A
		EMF018A43A
		EMF033A43A
		EMF039A43A
		EMF008A63A
EMF014A63A		
EMF027A63A		
EMF029A63A		

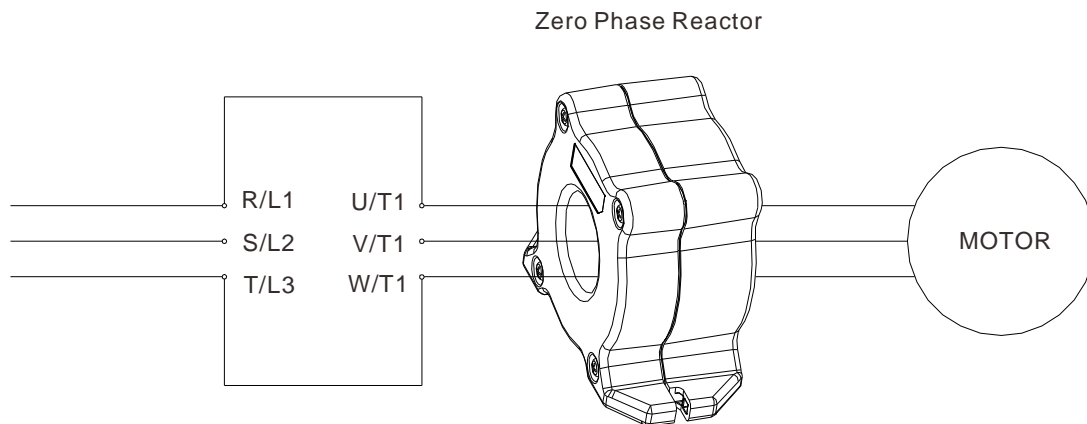
## C Family Accessories Launch Announcement

Accessories	Model
Zero-phase Reactor	RF008X00A
	RF004X00A
	RF002X00A
	RF300X00A

### 2-3.Installation Notice:

#### Zero-phase Reactor

Diagram A: Please pass through the cable in one zero phase reactor directly at least.



- ☑ The table above gives approximate wire size for the zero phase reactors but the selection is ultimately governed by the type and the diameter of the cable, i.e. the cable diameter must small enough to go through the center of the zero phase reactor.
- ☑ When wiring, do not goes through the ground wire. It only needs to pass through the motor cable or the power cable.
- ☑ When a long motor cable for output is used, a zero phase reactor may be necessary to reduce the radiated emission.

## C Family Accessories Launch Announcement

### EMI Filter

To ensure EMI Filter to maximize the effect of interference suppressed the drive, in addition to the drive shall be able to follow the contents of the installation and wiring of manual, the need to pay attention to the following points :

- ☑ EMI Filter and drive must be installed on the same piece of metal plate. When you install EMI Filter and drive, please try to install the drive mounted on Filter.
- ☑ Wiring is as short as possible. Metal plates must to have a good grounding. EMI Filter and metal housing of drive or ground must be fixed on a metal plate and the contact area between the two should be as large as possible.

### 3. Launch Area & Order Acceptance Date:

Date	Area
2014/11/14	Worldwide

## C Family Accessories Launch Announcement

### Appendix:

#### 1. C2000 series selection table

Model <b>C2000</b>	Input Current	Applicable EMI Filter	Zero Phase Reactor	CE Cable Length		Radiation Emission	
				default carrier frequency		default carrier frequency	
				EN61800-3 C1	EN61800-3 C2	EN61800-3 C1*	EN61800-3 C2
VFD007C23A	6.4A	EMF021A23A	RF008X00A	50m	100m	50m	100m
VFD015C23A	12A			50m	100m	50m	100m
VFD022C23A	16A			50m	100m	50m	100m
VFD037C23A	20A			50m	100m	50m	100m
VFD055C23A	28A	EMF056A23A	RF004X00A	50m	100m	50m	100m
VFD075C23A	36A			50m	100m	50m	100m
VFD110C23A	52A			50m	100m	50m	100m
VFD150C23A	76A	KMF3100A	RF002X00A	50m	100m	50m	100m
VFD185C23A	83A			50m	100m	50m	100m
VFD220C23A	99A			50m	100m	50m	100m
VFD300C23A	124A			B84143D0150R127	50m	100m	50m
VFD370C23A	143A	50m	100m		50m	100m	
VFD450C23A	171A	B84143B0250S020	RF300X00A	50m	100m	50m	100m
VFD550C23A	206A			50m	100m	50m	100m
VFD750C23A	245A			50m	100m	50m	100m
VFD900C23A	331A	B84143B0400S020		50m	100m	50m	100m
VFD007C43A	4.3A	EMF014A43A	RF008X00A	50m	100m	50m	100m
VFD015C43A	5.9A			50m	100m	50m	100m
VFD022C43A	8.7A			50m	100m	50m	100m
VFD037C43A	14A	EMF018A43A	RF008X00A	50m	100m	50m	100m
VFD040C43A	15.5A			50m	100m	50m	100m
VFD055C43A	17A			50m	100m	50m	100m
VFD075C43A	20A	EMF039A43A	RF004X00A	50m	100m	50m	100m
VFD110C43A	26A			50m	100m	50m	100m
VFD150C43A	35A			50m	100m	50m	100m

## C Family Accessories Launch Announcement

Model <b>C2000</b>	Input Current	Applicable EMI Filter	Zero Phase Reactor	CE Cable Length		Radiation Emission	
				default carrier frequency		default carrier frequency	
				EN61800-3 C1	EN61800-3 C2	EN61800-3 C1*	EN61800-3 C2
VFD185C43A	40A	KMF370A	RF002X00A	50m	100m	50m	100m
VFD220C43A	47A			50m	100m	50m	100m
VFD300C43A	63A			50m	100m	50m	100m
VFD370C43A	74A	B84143D0150R127		50m	100m	50m	100m
VFD450C43A	101A			50m	100m	50m	100m
VFD550C43A	114A			50m	100m	50m	100m
VFD750C43A	157A		50m	100m	50m	100m	
VFD900C43A	167A	B84143D0200R127	RF300X00A	50m	100m	50m	100m
VFD1100C43A	207A			50m	100m	50m	100m
VFD1320C43A	240A	MIF3400B		50m	100m	50m	100m
VFD1600C43A	300A			50m	100m	50m	100m
VFD1850C43A	380A			50m	100m	50m	100m
VFD2200C43A	400A			50m	100m	50m	100m
VFD2800C43A	494A	MIF3800	50m	100m	50m	100m	
VFD3150C43A	555A		50m	100m	50m	100m	
VFD3550C43A	625A		50m	100m	50m	100m	
VFD4500C43A	866A		B84143B1000S020	50m	100m	50m	100m

### 2. CH2000 series selection table

Model <b>CH2000</b>	Input Current	Applicable EMI Filter	Zero Phase Reactor	CE Cable Length		Radiation Emission
				default carrier frequency		default carrier frequency
				EN61800-3 C1	EN61800-3 C2	EN61800-3 C2
VFD007CH23A	6.4A	EMF021A23A	RF008X00A	50m	100m	100m
VFD015CH23A	12A			50m	100m	100m
VFD022CH23A	16A			50m	100m	100m
VFD037CH23A	20A			50m	100m	100m
VFD055CH23A	28A	EMF056A23A	RF004X00A	50m	100m	100m
VFD075CH23A	36A			50m	100m	100m

## C Family Accessories Launch Announcement

Model <b>CH2000</b>	Input Current	Applicable EMI Filter	Zero Phase Reactor	CE Cable Length		Radiation Emission
				default carrier frequency		default carrier frequency
				EN61800-3	EN61800-3	EN61800-3
				C1	C2	C2
VFD110CH23A	52A	EMF056A23A	RF004X00A	50m	100m	100m
VFD150CH23A	76A	KMF3100A	RF002X00A	50m	100m	100m
VFD185CH23A	83A			50m	100m	100m
VFD220CH23A	99A	B84143D0150R127	RF002X00A	50m	100m	100m
VFD300CH23A	124A			50m	100m	100m
VFD370CH23A	143A			50m	100m	100m
VFD450CH23A	171A	B84143B0250S020	RF300X00A	50m	100m	100m
VFD550CH23A	206A			50m	100m	100m
VFD750CH23A	245A			50m	100m	100m
VFD007CH43A	4.3A	EMF014A43A	RF008X00A	50m	100m	100m
VFD015CH43A	5.9A			50m	100m	100m
VFD022CH43A	8.7A	EMF018A43A	RF008X00A	50m	100m	100m
VFD037CH43A	14A			50m	100m	100m
VFD055CH43A	17A			50m	100m	100m
VFD075CH43A	20A	EMF039A43A	RF004X00A	50m	100m	100m
VFD110HC43A	26A			50m	100m	100m
VFD150CH43A	35A			50m	100m	100m
VFD185CH43A	40A	KMF370A	RF002X00A	50m	100m	100m
VFD220CH43A	47A			50m	100m	100m
VFD300CH43A	63A			50m	100m	100m
VFD370CH43A	74A	B84143D0150R127	RF002X00A	50m	100m	100m
VFD450CH43A	101A			50m	100m	100m
VFD550CH43A	114A			50m	100m	100m
VFD750CH43A	157A			50m	100m	100m
VFD900CH43A	167A	B84143D0200R127	RF300X00A	50m	100m	100m
VFD1100CH43A	207A			50m	100m	100m
VFD1320CH43A	240A	MIF3400B	RF300X00A	50m	100m	100m
VFD1600CH43A	300A			50m	100m	100m



## C Family Accessories Launch Announcement

Model <b>CH2000</b>	Input Current	Applicable EMI Filter	Zero Phase Reactor	CE Cable Length		Radiation Emission
				default carrier frequency		default carrier frequency
				EN61800-3	EN61800-3	EN61800-3
				C1	C2	C2
VFD1850CH43A	380A	MIF3800	RF300X00A	50m	100m	100m
VFD2200CH43A	400A			50m	100m	100m
VFD2800CH43A	494A	MIF3800		50m	100m	100m

### 3. EMI Filter Specification

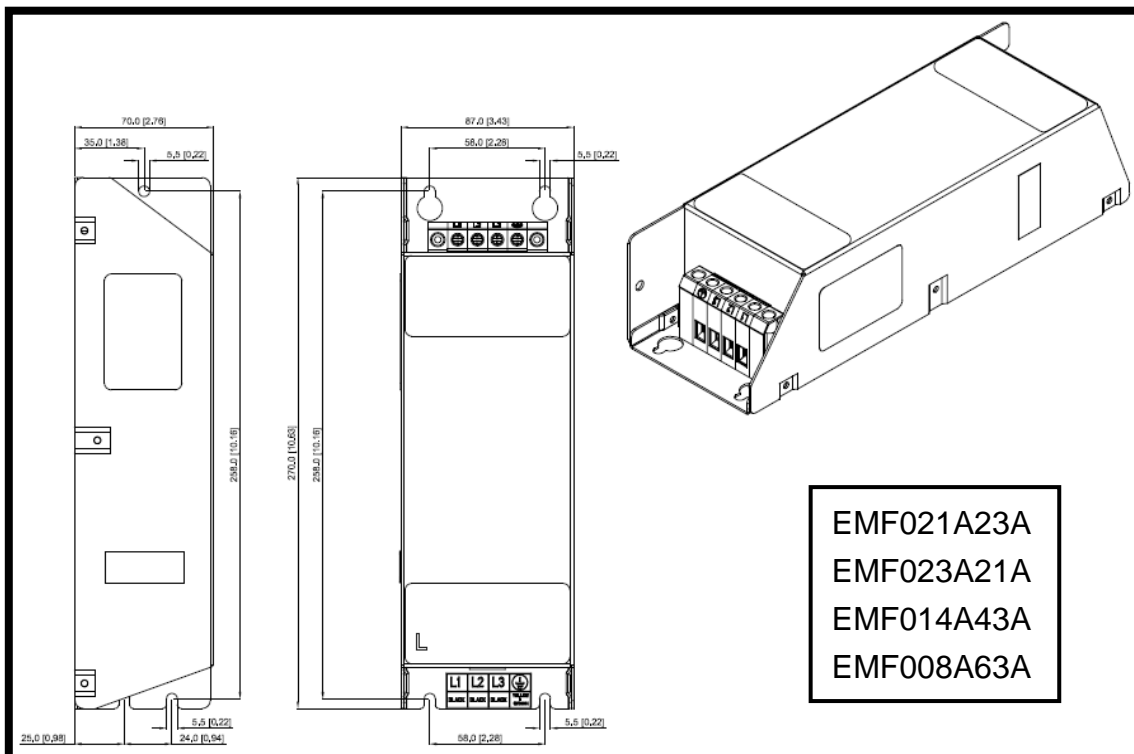
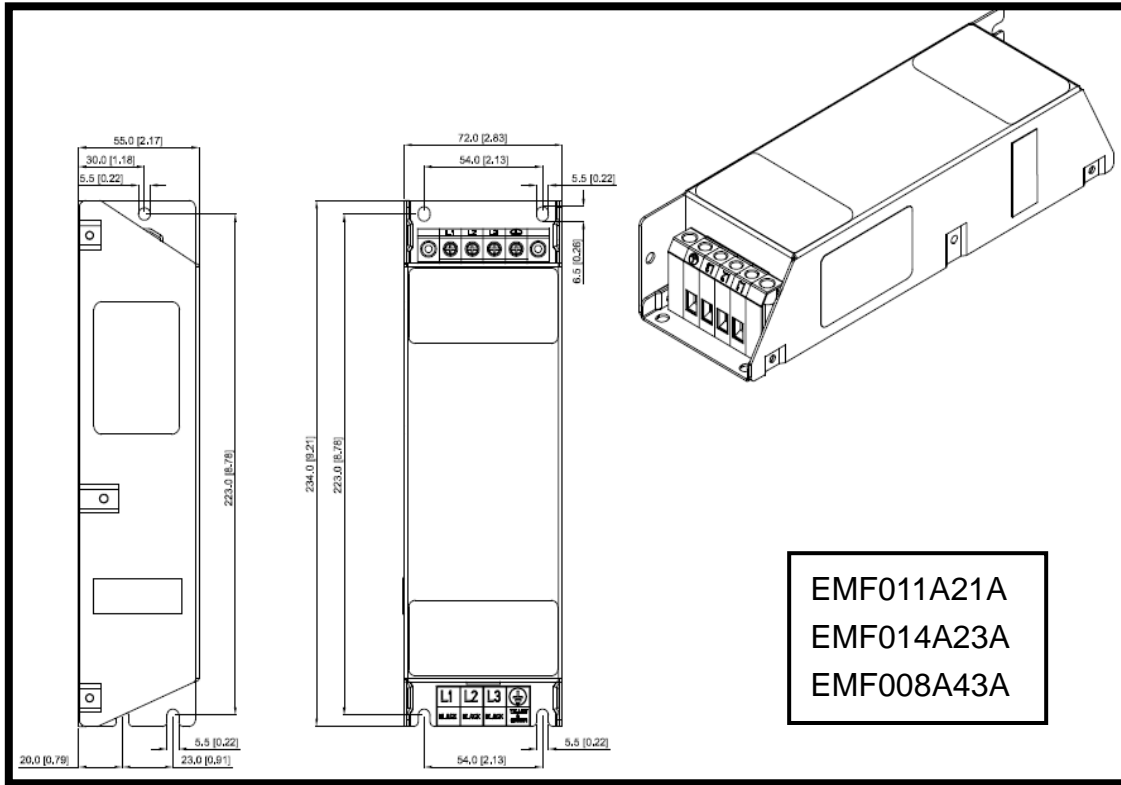
Specification	Model	L	W	H	Unit	Weight	Unit
1-phase/220V/440V	EMF011A21A	234	72	55	mm	1	kg
	EMF023A21A	270	87	70	mm	1.5	kg
3-phase /220V/440V	KMF350A	312	93	190	mm	3.7	kg
	KMF370A	312	93	190	mm	4.2	kg
	KMF3100A	312	93	190	mm	4.5	kg
	MIF3400B	873	420	110	mm	22	kg
	MIF3400	625	420	110	mm	14	kg
	MIF3800	625	420	220	mm	30	kg
	EMF014A23A	234	72	55	mm	1.2	kg
	EMF021A23A	270	87	70	mm	1.6	kg
	EMF027A23A	275	109	70	mm	1.7	kg
	EMF035A23A	310	130	80	mm	2.9	kg
	EMF056A23A	390	155	80	mm	4	kg
	EMF008A43A	234	72	55	mm	1.2	kg
	EMF014A43A	270	87	70	mm	1.6	kg
	EMF018A43A	275	109	70	mm	1.8	kg
	EMF033A43A	310	130	80	mm	3.2	kg
EMF039A43A	390	155	80	mm	4	kg	

## C Family Accessories Launch Announcement

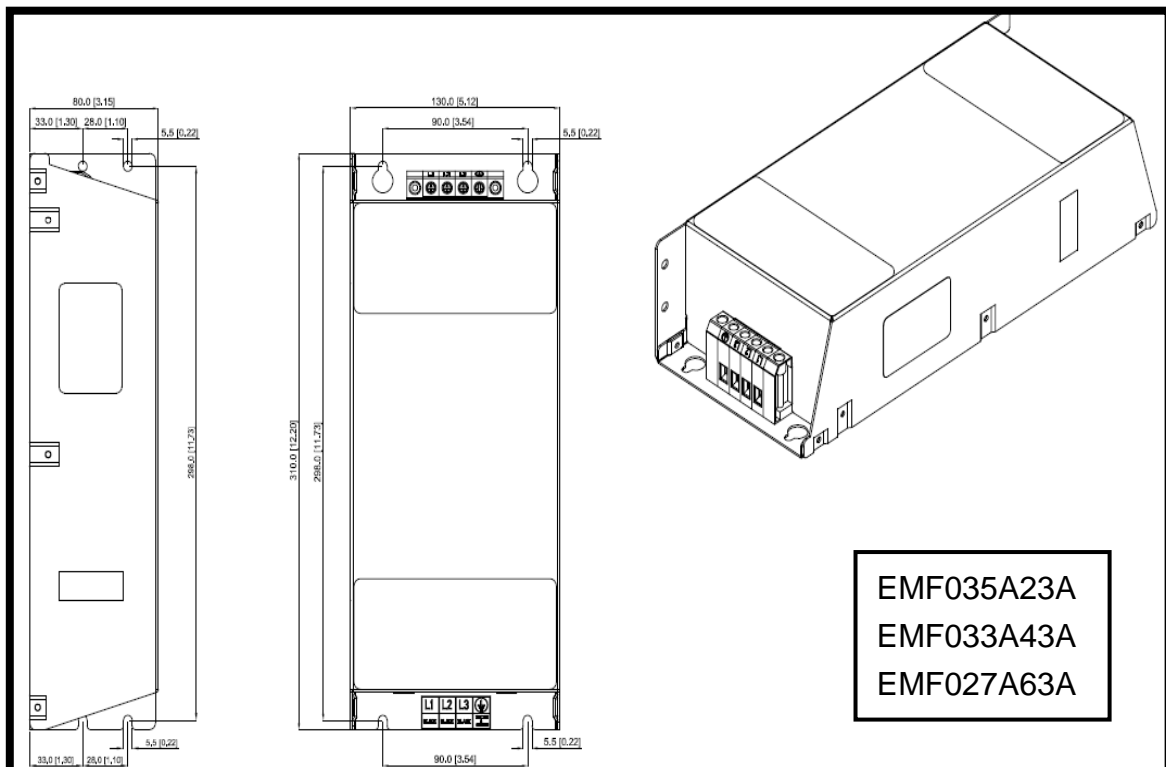
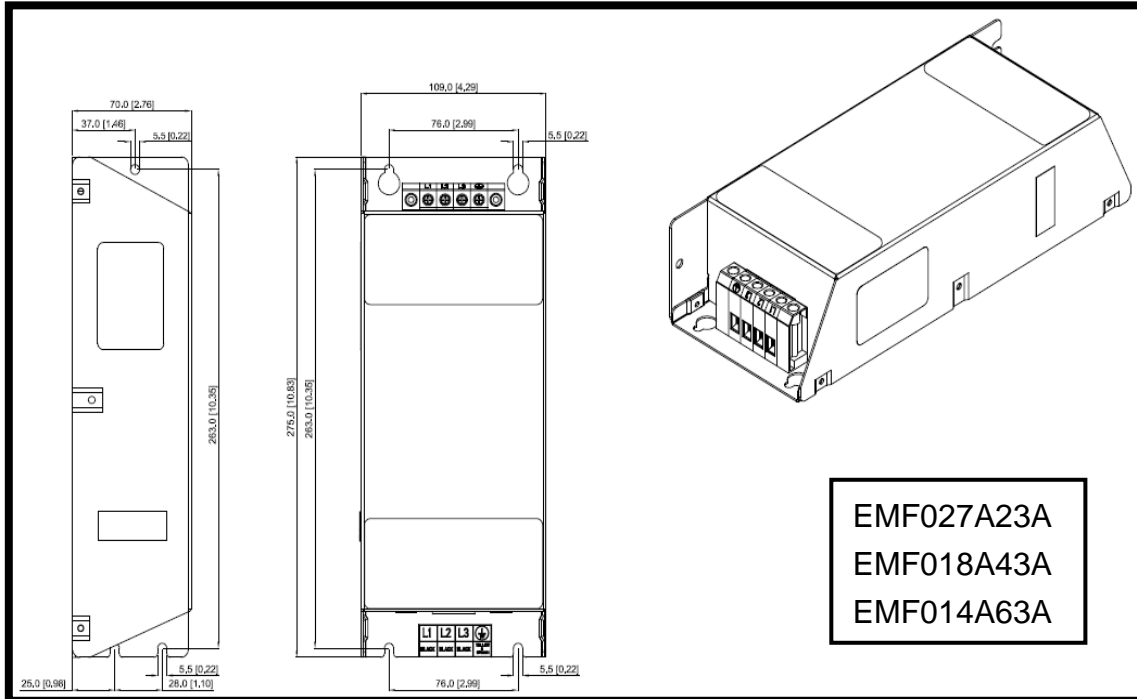
Specification	Model	L	W	H	Unit	Weight	Unit
3-phase /220V/440V	B84143D0150R127	479	125	226	mm	17	kg
	B84143D0200R127	542	199	259	mm	18.5	kg
	B84143B0250S020	360	140	115	mm	15	kg
	B84143B0400S020	360	210	116	mm	21	kg
	B84143B1000S020	420	250	166	mm	28	kg
3-phase /600V	EMF008A63A	270	87	70	mm	1.8	kg
	EMF014A63A	275	109	70	mm	2	kg
	EMF027A63A	310	130	80	mm	3.7	kg
	EMF029A63A	390	155	80	mm	4.3	kg
3-phase /690V	MDF350V	230	144	82	mm	2.7	kg
	MDF3100V	238	186	124	mm	6.35	kg
	KMF3320V	268	186	77	mm	4.4	kg

## C Family Accessories Launch Announcement

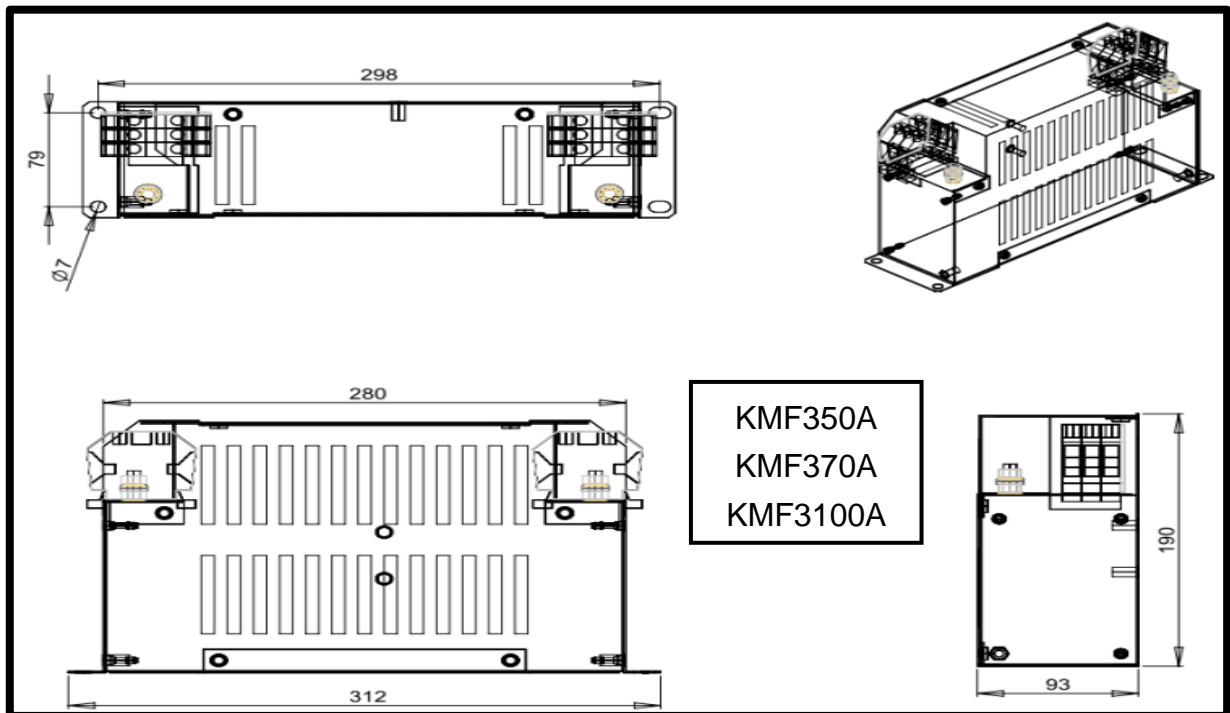
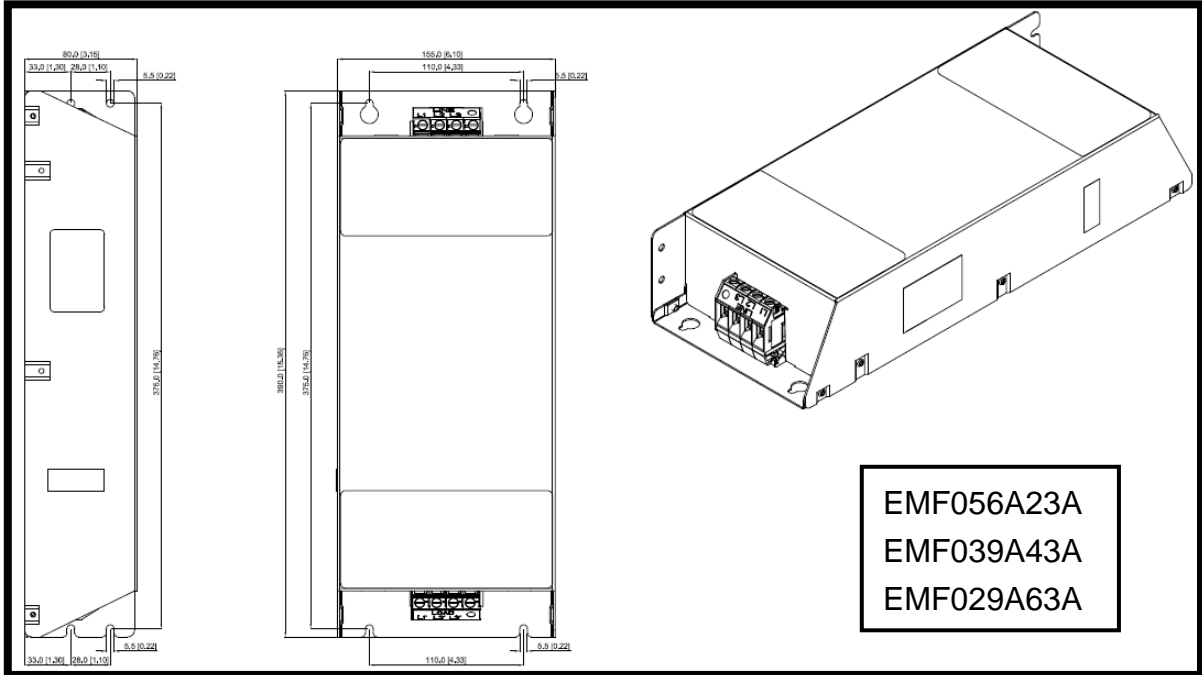
### 4. EMI Filter Drawing



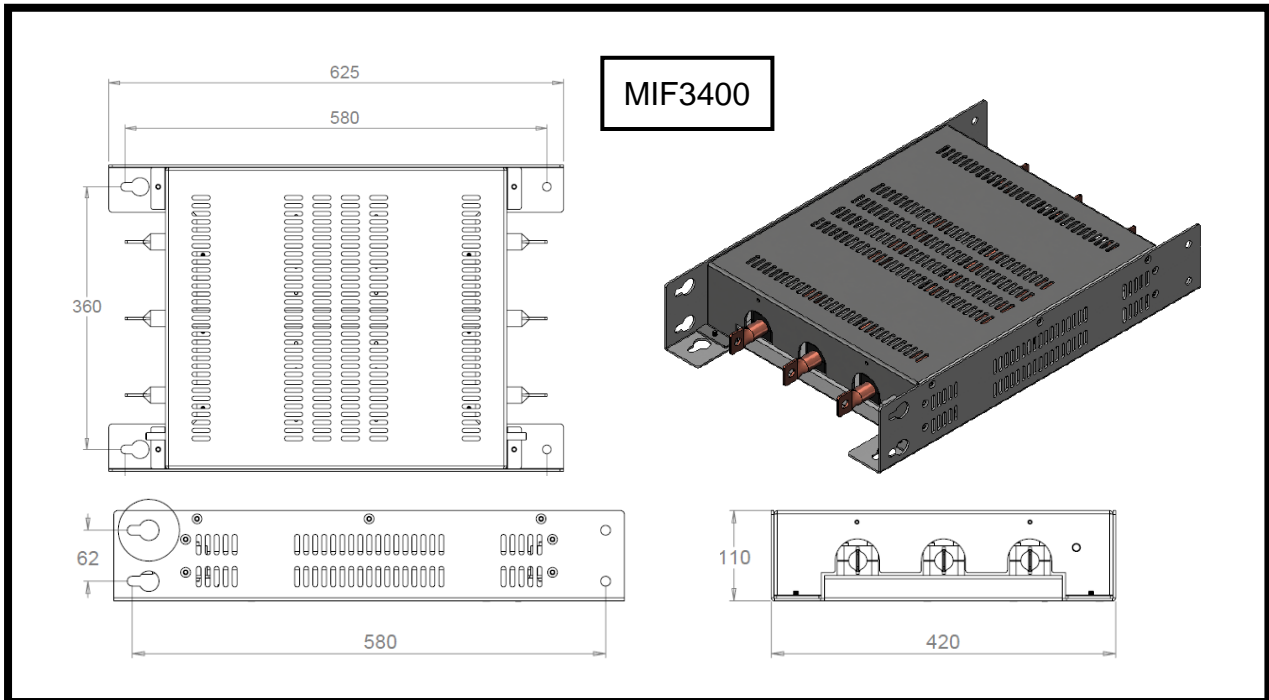
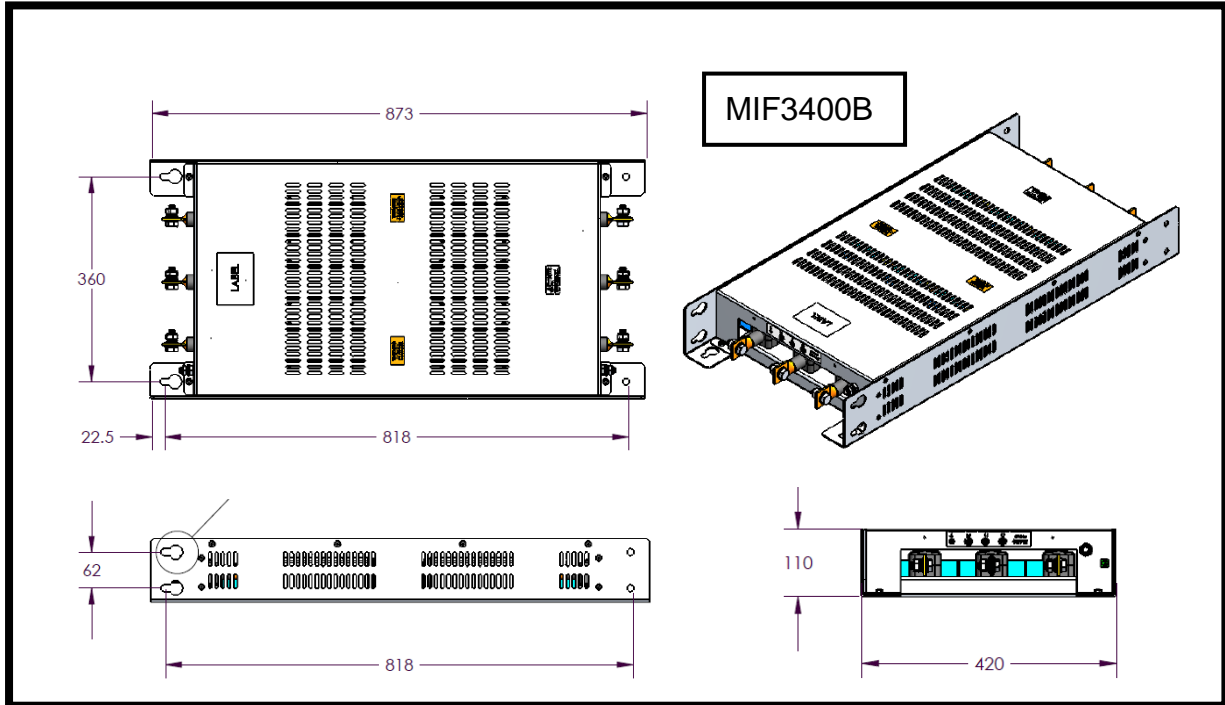
## C Family Accessories Launch Announcement



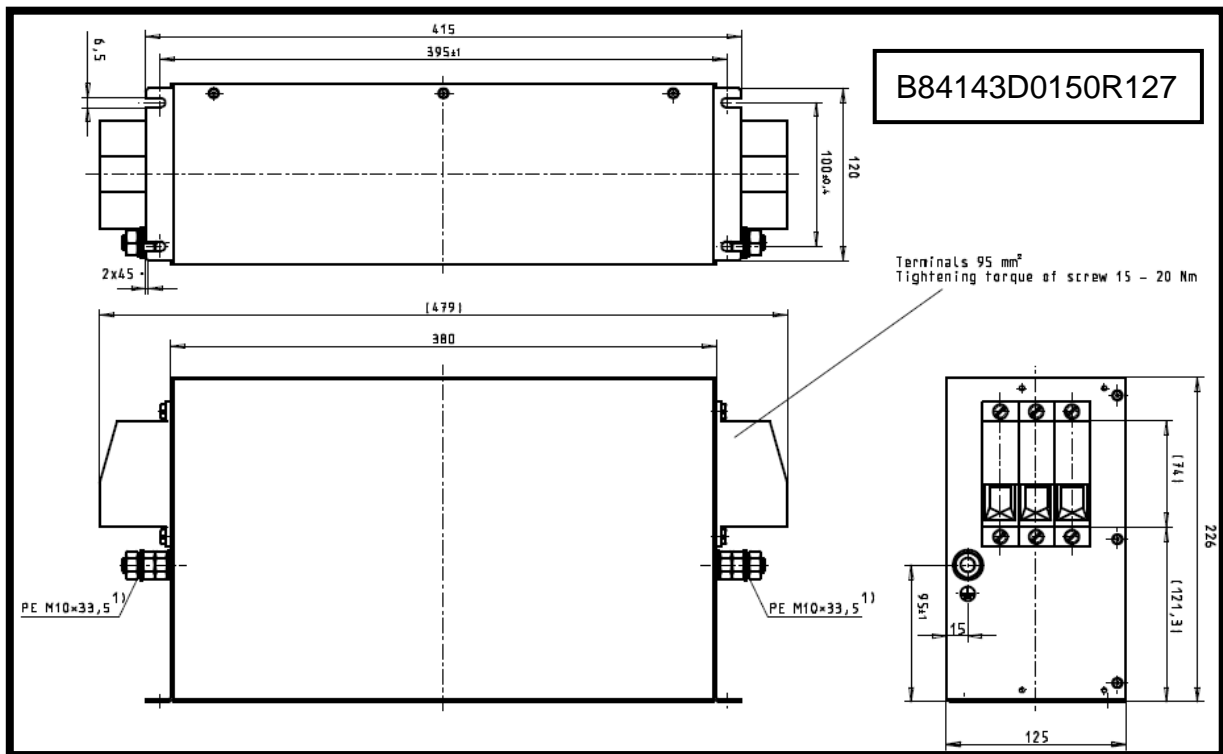
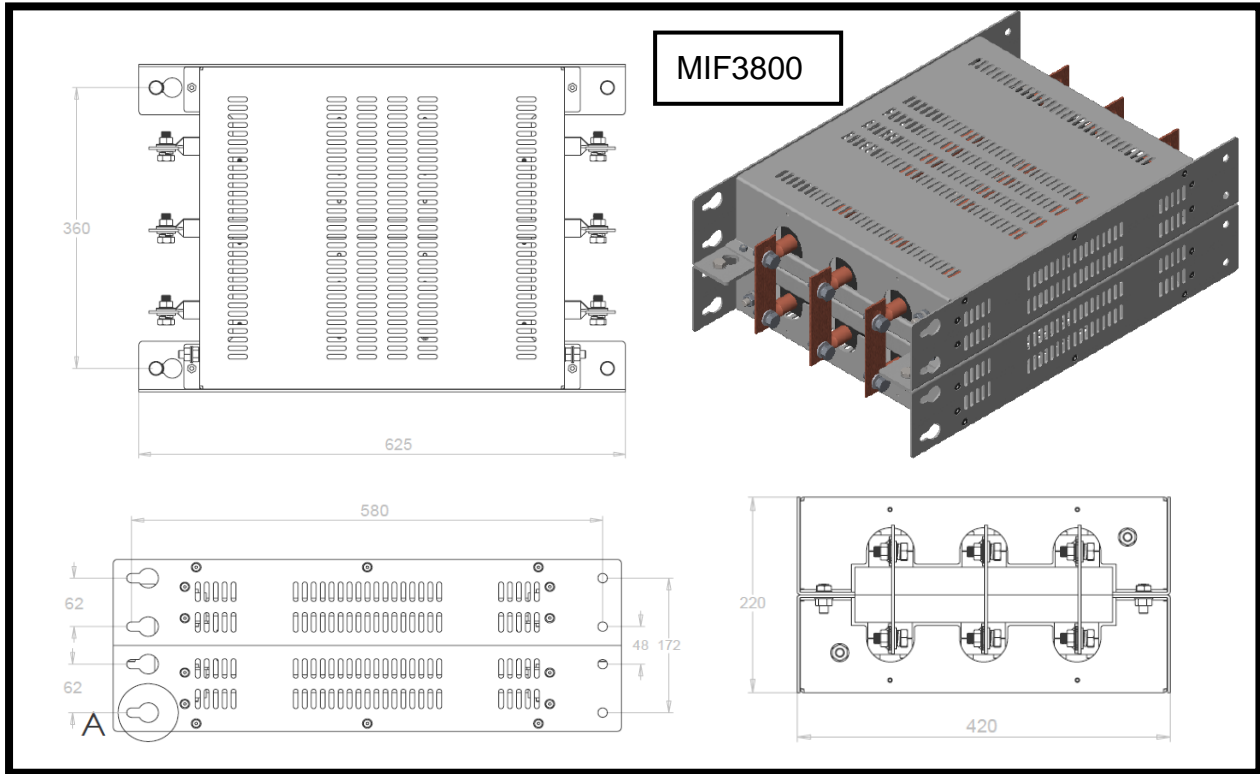
## C Family Accessories Launch Announcement



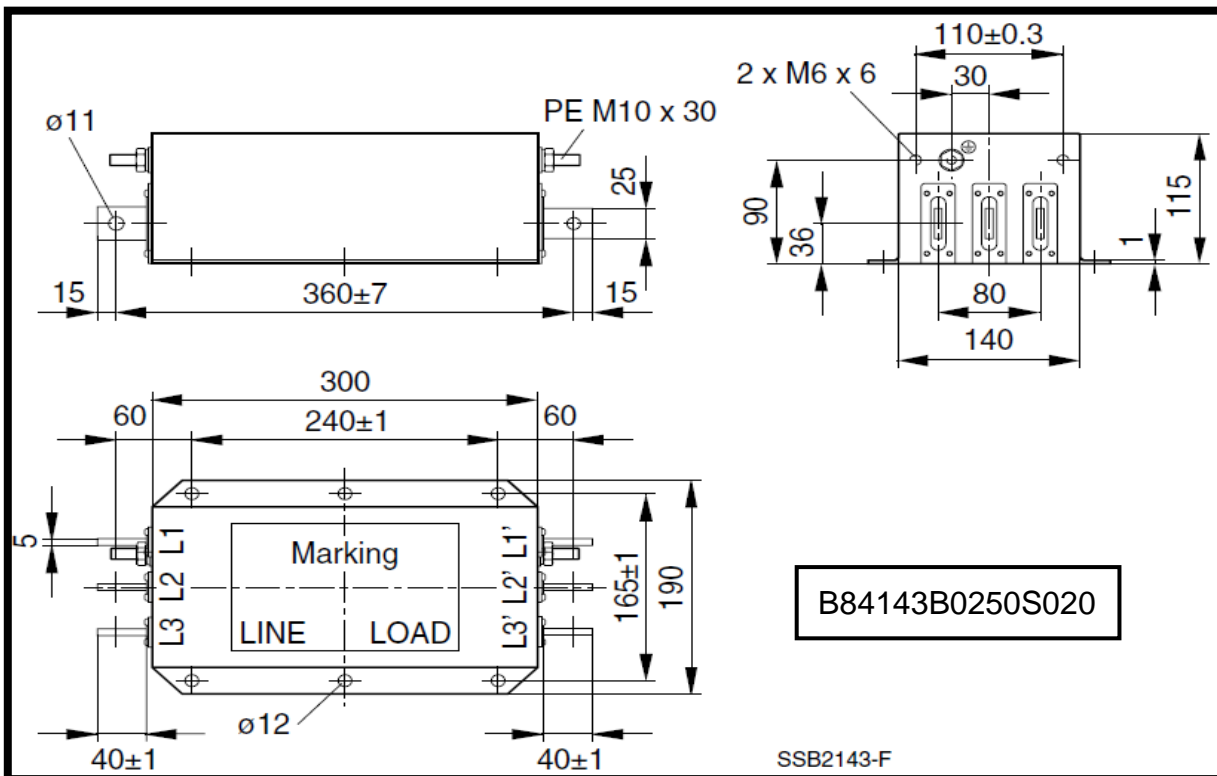
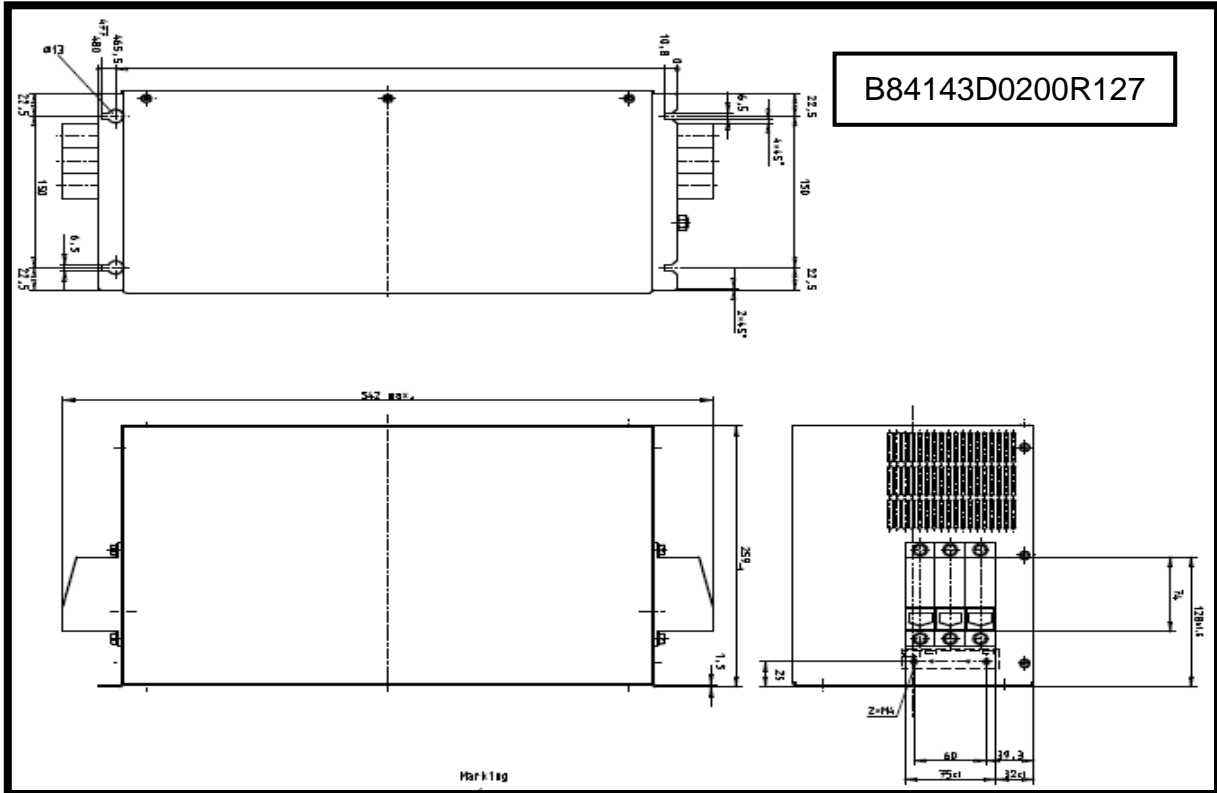
## C Family Accessories Launch Announcement



## C Family Accessories Launch Announcement

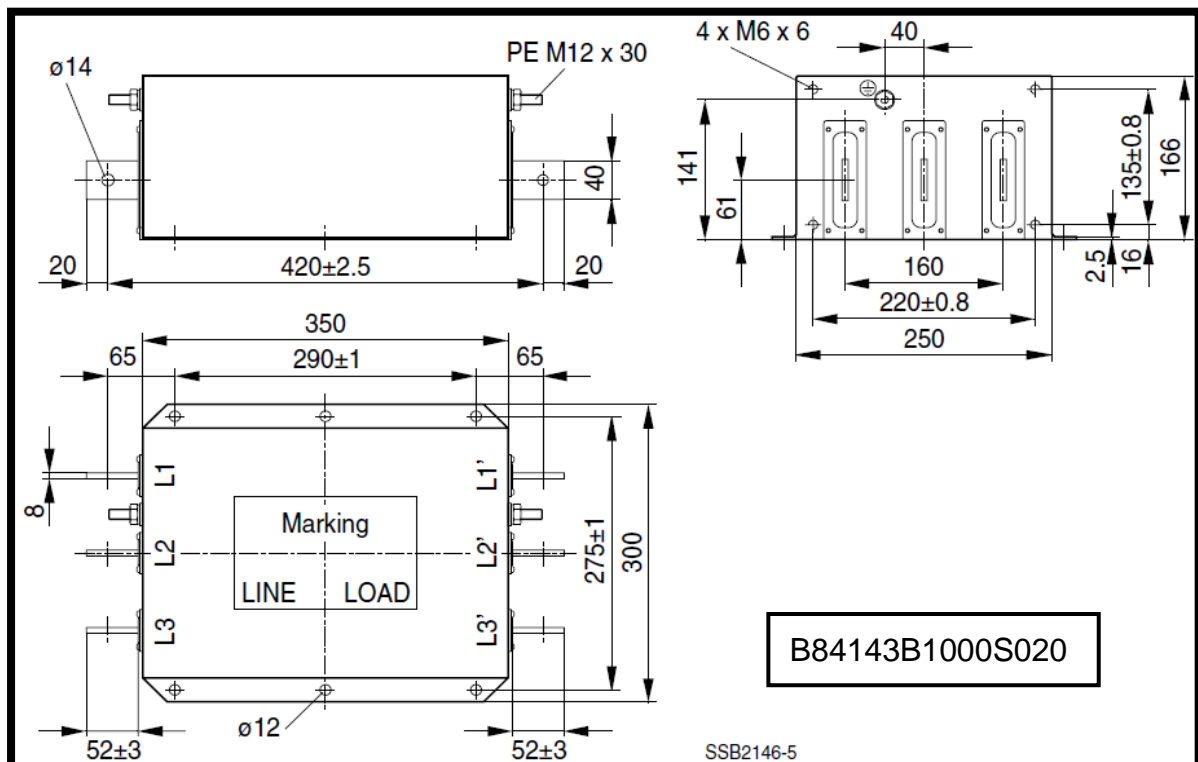
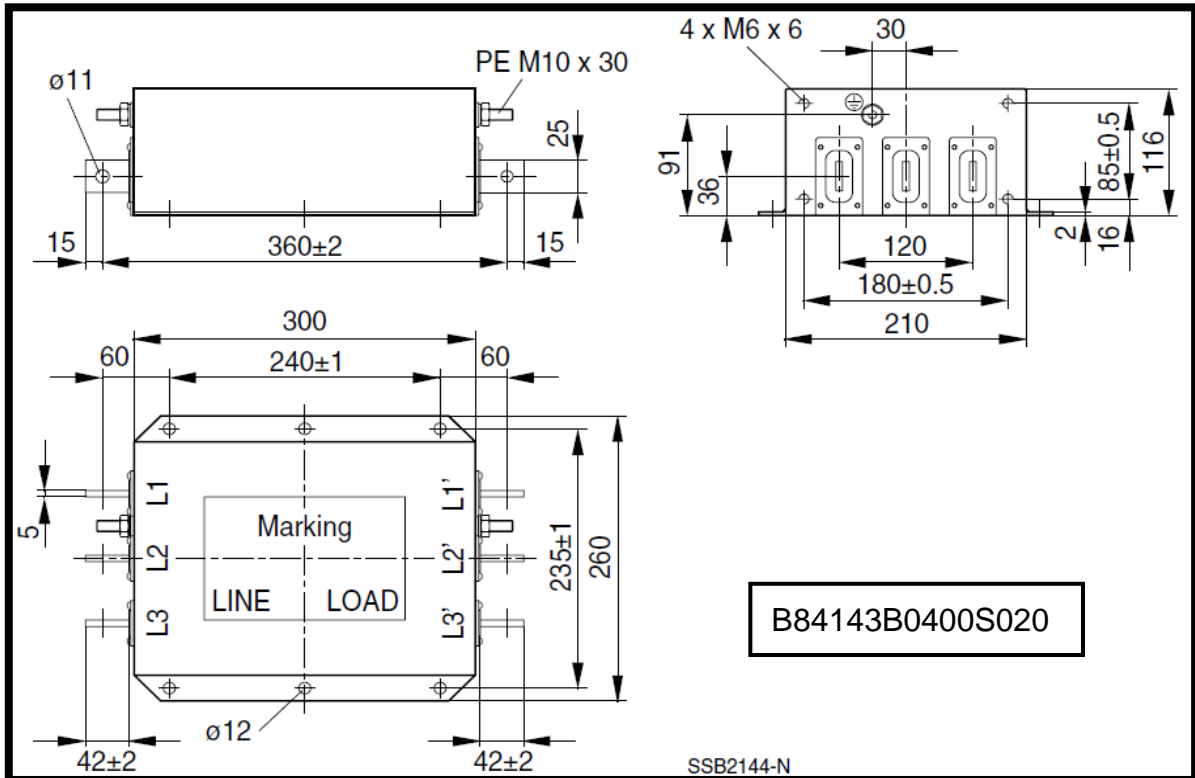


## C Family Accessories Launch Announcement



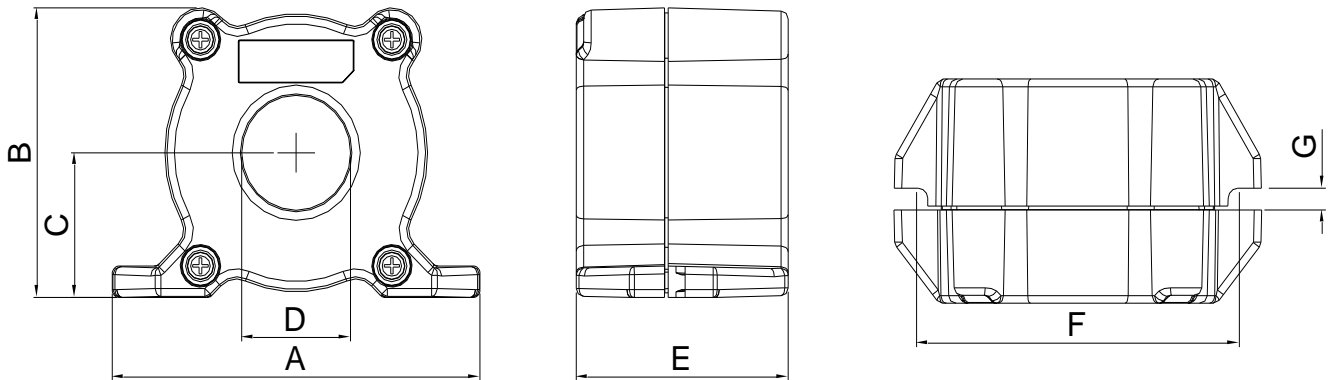


## C Family Accessories Launch Announcement



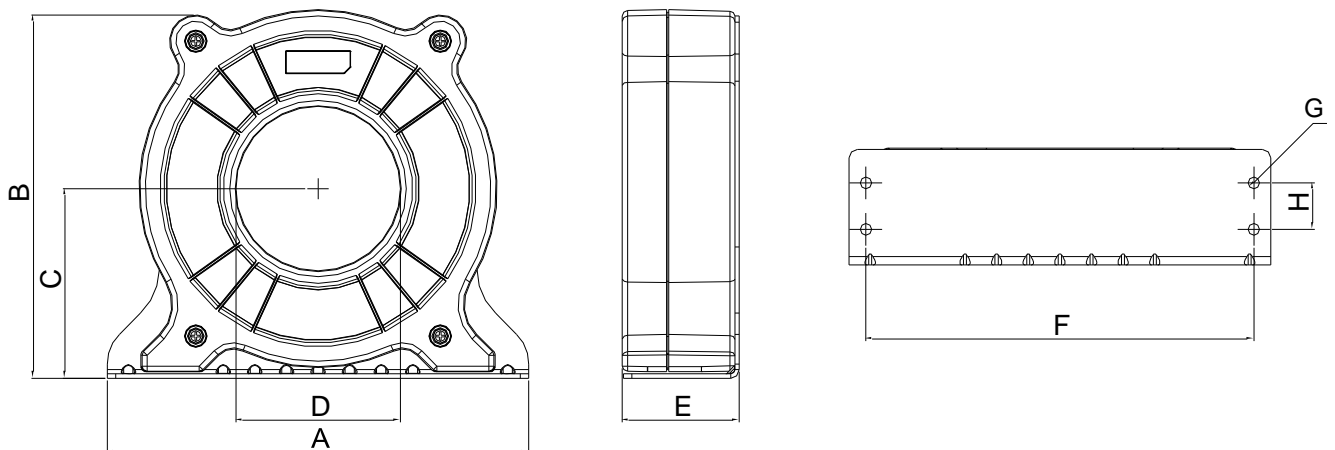
## C Family Accessories Launch Announcement

### 5. Zero Phase Reactor Specification & Drawing



UNIT: mm(inch)

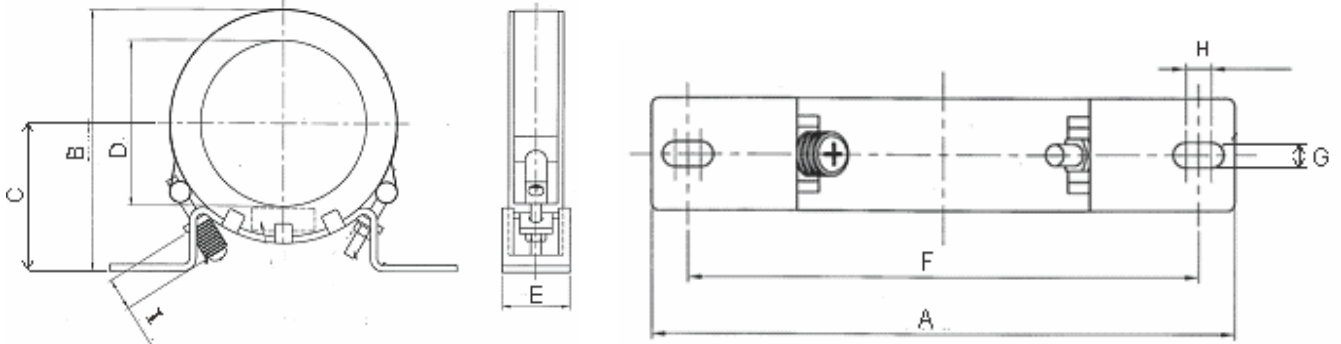
Model	A	B	C	D	E	F	G(Ø)	Torque
RF008X00A	98 (3.858)	73 (2.874)	36.5 (1.437)	29 (1.142)	56.5 (2.224)	86 (3.386)	5.5 (0.217)	< 10kgf/cm <sup>2</sup>
RF004X00A	110 (4.331)	87.5 (3.445)	43.5 (1.713)	36 (1.417)	53 (2.087)	96 (3.780)	5.5 (0.217)	< 10kgf/cm <sup>2</sup>



UNIT: mm(inch)

Model	A	B	C	D	E	F	G(Ø)	H	Torque
RF002X00A	200 (7.874)	172.5 (6.791)	90 (3.543)	78 (3.071)	55.5 (2.185)	184 (7.244)	5.5 (0.217)	22 (0.866)	<45kgf/cm <sup>2</sup>

## C Family Accessories Launch Announcement



UNIT: mm(inch)

Model	A	B	C	D	E	F	G(Ø)	H	I
RF300X00A	241(9.488)	217(8.543)	114(4.488)	155(6.102)	42(1.654)	220(8.661)	6.5(0.256)	7.0(0.276)	20(0.787)